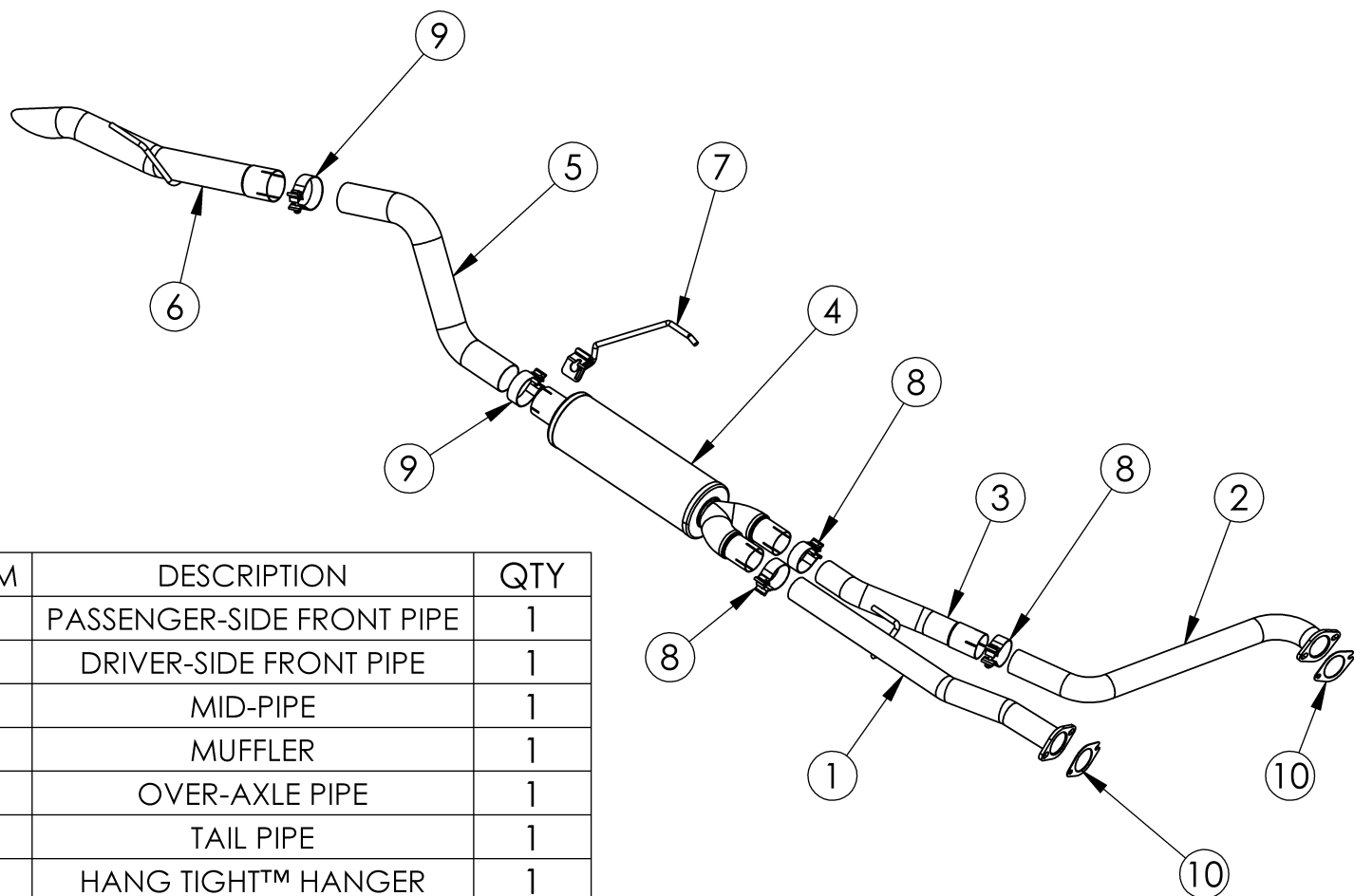


S5409

2022-UP NISSAN FRONTIER, 3.8L,
CAT-BACK, 3.0"
SINGLE HIGH CLEARANCE, REAR EXIT,
EXCL. CREW CAB LONG BOX

MBRP®



ITEM	DESCRIPTION	QTY
1	PASSENGER-SIDE FRONT PIPE	1
2	DRIVER-SIDE FRONT PIPE	1
3	MID-PIPE	1
4	MUFFLER	1
5	OVER-AXLE PIPE	1
6	TAIL PIPE	1
7	HANG TIGHT™ HANGER	1
8	2.5" CLAMP	3
9	3.0" CLAMP	2
10	GASKET	2

PLEASE READ BEFORE STARTING INSTALLATION

While MBRP has made every effort to ensure that all components of this system are of superior quality and properly packaged, it is the installer's responsibility to ensure the following before removal of the factory exhaust:

- that ALL components shown above are present.
- that ALL mating components fit together.
- that there are no damaged components.
- that the system you have purchased is appropriate for your vehicle year, model and configuration.
- that the system will not interfere with any modifications previously installed or planned.
- that you have read and understand these instructions.

If you have any questions or are uncertain about any aspect of the installation of this system to your vehicle please contact your dealer before commencing installation.

MBRP

Removal of Stock System



Figure 1

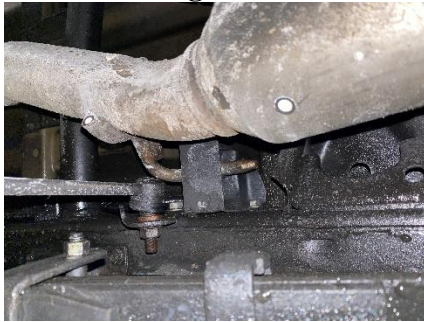


Figure 2



Figure 3



Figure 4



Figure 5

1. Apply penetrating lubricant liberally to all exhaust fasteners, hangers, and rubber insulators.
2. Remove nuts from the exhaust flanges behind the catalytic converters. Keep hardware for reinstallation.
Refer to Figure 1.
3. Remove the rear hanger insulator from the frame. Keep hardware for reinstallation.
Refer to Figure 2.
4. Remove the factory exhaust from the rubber insulators and remove the exhaust from the vehicle.
Refer to Figure 3.
5. Reinstall the rear hanger insulator to the frame.

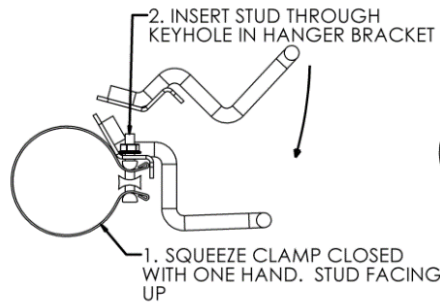
Installation of MBRP Performance Exhaust

1. Install the **Passenger-Side Front Pipe** by securing it into the factory insulator. Then secure the **Passenger-Side Front Pipe** to the factory flange using one of the provided **Gaskets**, and existing hardware. Leave the hardware loose enough for adjustment.
Refer to Figure 4.
2. Install the **Driver-Side Front Pipe** using a **Gasket**, and existing hardware. Leave the hardware loose for adjustment.
Refer to Figure 5.
3. Using a **2.5\" Clamps**, loosely install the **Mid-Pipe** onto the **Driver-Side Front Pipe**.
Refer to Figure 6.
4. Using two **2.5\" Clamps**, install the **Muffler** onto the **Passenger-Side Front Pipe** and the **Mid-Pipe** outlets. Leave the **2.5\" Clamps** loose enough for adjustment. Position **Muffler** as shown.
Refer to Figure 7 and Page 1.
5. Install the **Hang Tight™ Hanger** onto a **3.0\" Clamps** using the procedure in **Detail A**. (**Hang Tight™ Hanger** not exactly as shown).
Refer to Detail A.

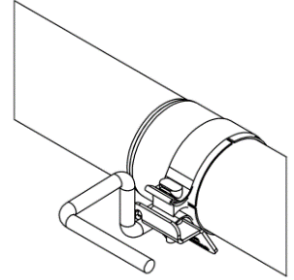
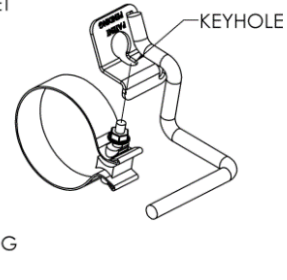
MBRP



Figure 6



3. ROTATE HANGER BRACKET TO SEAT THREADED STUD IN SLOT. BE SURE THE NUT IS ABOVE THE BRACKET



AS INSTALLED ON VEHICLE

Detail A



Figure 7

6. Install the **Hang Tight™ Hanger Clamp Assembly** onto the **Muffler** and into the factory insulator. This will help support the **Muffler** while installing the **Over-Axle Pipe**.
Refer to Figure 7.

Refer to Figure 7.

7. Install the **Over-Axle Pipe** into the outlet of the **Muffler** and lightly secure the **Hang Tight™ Hanger Clamp Assembly**.
Refer to Figure 8.

Refer to Figure 8.

8. Loosely install a **3" Clamp** onto the inlet of the **Tail Pipe** to prepare for installation.



Figure 8

9. Install the **Tail Pipe** into the rear hanger insulator then onto the outlet end of the **Over-Axle Pipe**.
Refer to Figure 9.

Refer to Figure 9.

11. Carefully align the system. Align the edge of each band clamp with the edge of the joint it is connecting. Tighten all hardware and clamps, starting at the front and working rearward to secure the system. Check along the full length of the exhaust system to ensure there is adequate clearance for fuel lines, vent lines, brake lines, frame, bodywork, suspension, and any wiring, etc. If there is any interference detected, relocate, or adjust to provide adequate clearance. Ensure all clamp connections are secure and components are unable to rotate or slide. Band clamps require approximately 45 lb-ft (60 N-m) of torque. Verify clearances, system security and band clamp torque after 30-60 miles (50-100 km) of driving.



Figure 9

Congratulations! You are ready to begin experiencing the improved power, sound and driving experience of your **MBRP** Performance Exhaust.

We know you will enjoy your purchase!